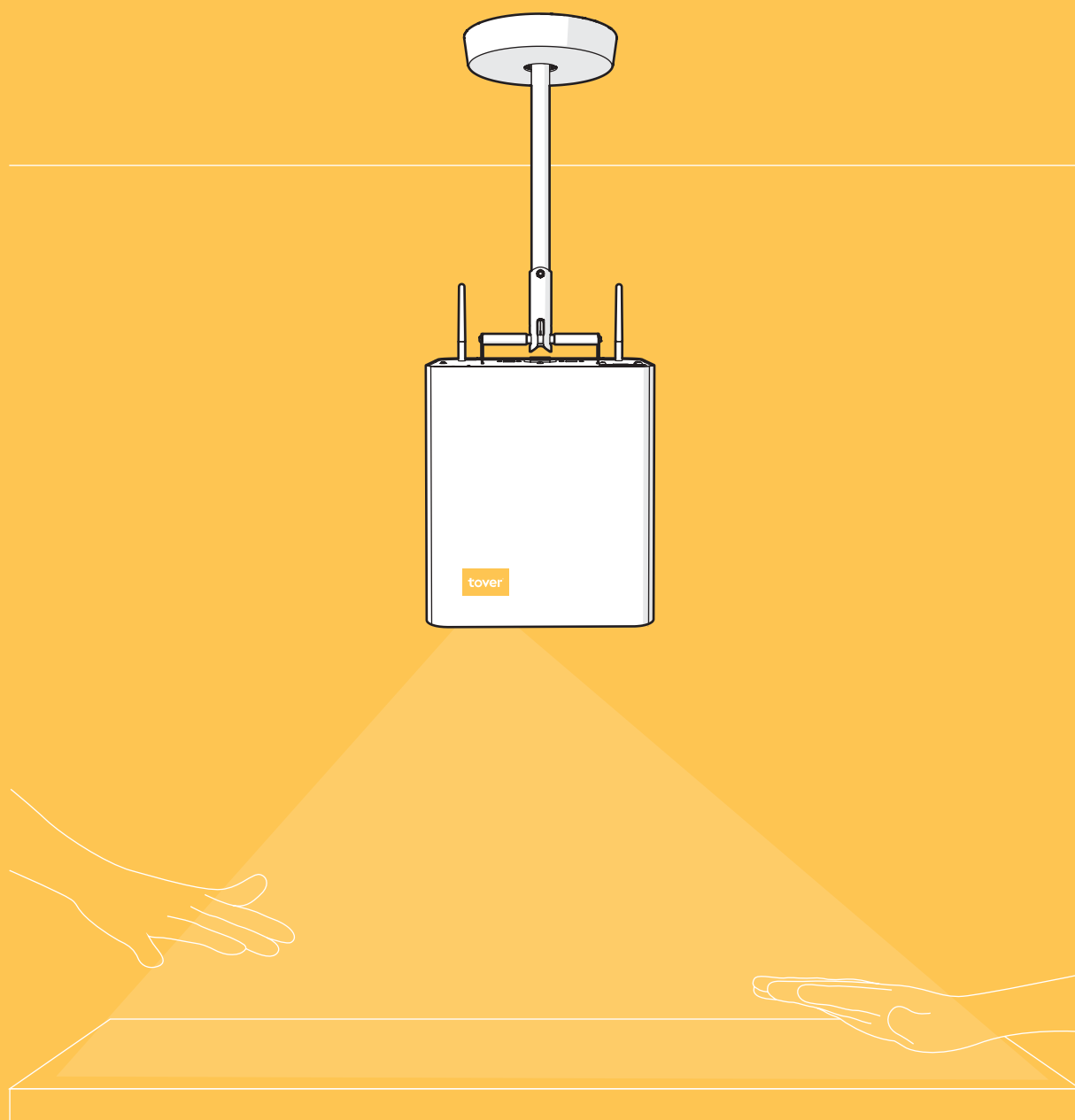


Tovertafel

User manual



tover[®]

US – Translation of the original manual
November 2020

Table of contents

1. Introduction	4	5. Optimal adjustment of the Tovertafel	9
1.1. Important: before you begin playing	4	5.1. Adjusting the playing field	9
1.2. Assistance	4	5.2. Sensor adjustment (calibration)	9
1.3. Key to symbols	4	5.3. Connecting to the Internet	9
		5.3.1. Option A: via WiFi	9
2. Safety instructions	5	5.3.2. Option B: via UTP cable	9
2.1. General instructions	5	5.3.3. Option C: via mobile hotspot	9
2.2. Positioning the product.	5	5.4. Installing software updates	10
2.3. Using the product	5		
2.4. Battery instructions for remote control	6	6. Moving the Tovertafel	10
		6.1. Removing the Tovertafel	10
3. Main components	6	6.2. Mounting the Tovertafel	10
3.1. The Tovertafel	7	6.3. Rotating the Tovertafel	11
3.2. LED mode indicator	7		
3.3. The remote control	7	7. Online environment	11
		7.1. My Tover	11
4. Getting started	8	8. Common problems	12
4.1. Turning on the Tovertafel	8		
4.2. Navigating in the menu	8		
4.3. Starting a game	8		
4.4. Correct functioning of the Tovertafel	8		
4.5. Turning the Tovertafel off	8		

1. Introduction

First of all we would like to thank you for choosing Tover!

At Tover, we take play seriously. With positive effects on physical, social, sensory and cognitive functioning and well-being, we believe play offers the solution. The Tovertafel (Magic Table) is a healthcare innovation that promotes unlimited and meaningful play experiences. The portable unit is mounted on the ceiling and projects interactive games on to the surface below, such as a table or floor. Sensors in the Tovertafel detect the movements made by users, allowing them to play the games. The remote control can be used to navigate the menu and select different games. The Tovertafel can be connected to the Internet to ensure the system is kept updated with the latest software and security features, new licensed games and game improvements. The Tovertafel games are specifically designed for older people with dementia, adults with intellectual disabilities and children with special needs. Together, we make a proven impact on quality of life.

1.1. Important: before you begin playing

Please read the installation and user manual carefully before using the Tovertafel. Pay special attention to the safety instructions to ensure correct operation of the Tovertafel. If the instructions in the installation manual or user manual are not complied with and/or the Tovertafel is used for purposes other than those described in the manual, the product guarantee will be compromised and we will accept no liability.

1.2. Assistance

	The product is under continuous development. Some functions in this manual may differ and been improved on in the meantime. For the most up-to-date information and extended support, please go to www.tover.care/manual
---	---

Having problems installing or using the Tovertafel? Please contact our service team.

Service team:







service@tover.care

www.tover.care/service

Purchased the Tovertafel 2 through one of our local distributors? Please contact that distributor for any service questions. See our website

www.tover.care/manual or the documentation included for a list of distributors.

1.3. Key to symbols

	Reference to a choice you can make to a step.
	Warning Indicates a hazardous situation. Failure to follow the safety instructions may result in death or serious injury.
	Caution Indicates a hazardous situation. Failure to follow the safety instructions may result in minor to moderate injury.
	Comment information that should be regarded as important but which is unrelated to injury.
	Tip useful information.
	Shopping trolley indicates that items that can be ordered as options.

2. Safety instructions

Safety during use is only guaranteed if installation has been carried out correctly in a technical sense and in accordance with the installation instructions. The installer is liable for damage caused by improper installation (or installation in an unsuitable location).

2.1. General instructions

⚠WARNING

- Read the manual carefully. The Tovertafel may only be operated in a manner equivalent to the intended use; any other use may result in technical faults or accidents. The liability and product guarantee are compromised in the event of improper use.
- Danger of Tovertafel falling and risk of personal injury: avoid horizontal load on the hanging system. Avoid pushing against or swinging from the hanging system.
- The Tovertafel exerts a vertical load on the hanging system: never hang anything on it that would increase the prescribed vertical load, that could cause the mounting plate to fail.

NOTICE

- Before removing the plug from the power socket always turn the Tovertafel off first. If the device's software is not shut down correctly, it could cause the device to malfunction.

2.2. Positioning the product.

⚠WARNING

- Risk of fire and electric shocks. Always connect the Tovertafel to an earthed power socket, never to an unearthed one. Ensure the plug is properly inserted into the power socket to prevent the plug from moving.
- Danger of a short circuit and risk of electric shocks. Always connect the power cable to the plug in the correct manner (see step).
- Danger of a short circuit and risk of electric shocks. Always attach the power cable with a loop to the strain relief so that the power cable is never under strain. The cable must always be secured through the strain relief in the correct

manner to prevent damage to the cable (see step).

- Risk of personal injury and choking. Keep children out of the vicinity while installing the Tovertafel. Both during and after the installation, keep the packaging, the wrapping film and the plastic out of the reach of children.

2.3. Using the product

⚠WARNING

- Danger of a short circuit and risk of electric shocks. Prevent unnecessary pulling on, wear or damage to the power cable.
- Risk of fire. Never expose the Tovertafel to direct sunlight, open fire or heat. Never position the product near flammable materials.
- Risk of overheating and fire. Never place any objects in front of the lens or cover it. Never cover the openings in the product's casing.
- Risk of fire and electric shocks. Never expose the Tovertafel to water, rain, moisture or high humidity. Never immerse the product in water. Never touch the product with wet or damp hands.
- Risk of a short circuit. Never position the product in damp or dusty areas.
- Danger of a short circuit and risk of electric shocks from lightning. Turn off the product using the remote control and the power switch on the bottom of the Tovertafel. Lastly, remove the plug from the power socket. Never touch the aerials during a thunder storm.
- Danger of a short circuit and risk of electric shocks. Do not insert any metal objects into the end of the power cable when it is in the power socket. Never touch the plug immediately after removing it from the power socket. Never open the product itself.
- Risk of Tovertafel falling. Always click the handle of the Tovertafel firmly onto the hook and always ensure that the hook locks into place.
- Risk of personal injury. Never allow children to play with the physical device, climb on or hang from the Tovertafel.
- Risk of eye damage. Never look directly into the lens of the Tovertafel for a prolonged period of time.

⚠ CAUTION

- Risk of damage. Never allow the product to fall; avoid jolting it. Never touch the Tovertafel's lens.

NOTICE

- Risk of fault. Never use a product that makes use of high voltage current (e.g. an electronic fly swatter) near the Tovertafel.

2.4. Battery instructions for remote control

⚠ WARNING

- Risk of fire due to fluid leakage from cracked batteries. Always replace batteries on time. Avoid combining partially used batteries with unused ones in the remote control. If you are not going to use the remote control for a prolonged period, remove the batteries.
- Risk of fire, explosion, injury and environmental damage due to cracked or leaking batteries. When inserting a battery, ensure that the plus (+) and minus (-) polarity markings of the battery match the plus (+) and minus (-) polarity markings in the remote control.
- Risk of fire and explosion. Never expose the batteries to direct sunlight, flame, sparks, electrical heating, or temperatures above 60 °C; do not store them where there is high humidity or excessive heat. Never throw batteries around or disassemble batteries, thereby preventing fluid leakage from cracked batteries.
- Risk of fire and explosion. Never dispose of batteries in the normal waste. Dispose of batteries in the correct manner. Comply with local rules and regulations for such disposal.
- Risk of fire and explosion. Only use batteries that meet the indicated specifications. Never replace a battery with a battery of the incorrect type.
- Risk of personal injury. Supervise children's use of the remote control. Ensure that children never put the remote control batteries in their mouth. If a battery is swallowed, call for medical assistance immediately.
- Risk of personal injury. If the batteries in the remote control leak, throw the entire remote control away in the chemical waste. Order a new remote control via service / assistance Chapter 1.2.

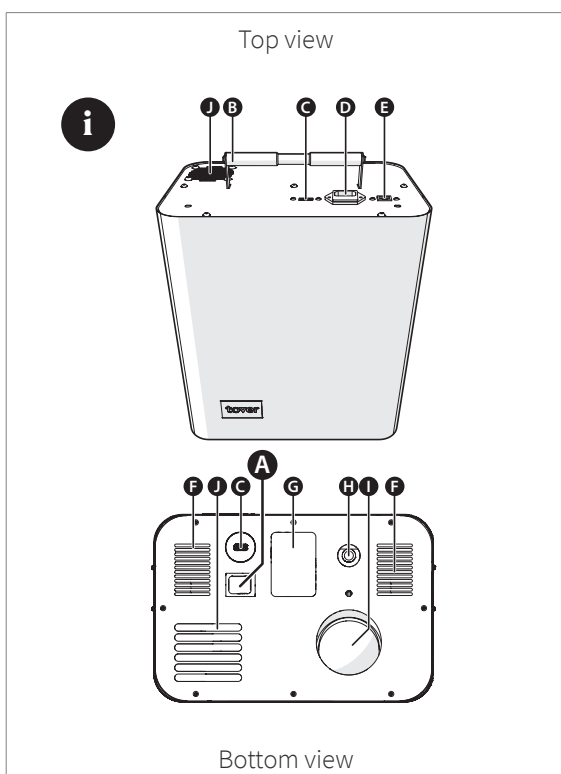
- Risk of personal injury. In the event of battery leakage, ensure the fluid never comes into contact with the skin or eyes. Should this occur anyway, rinse the fluid off immediately using plenty of water and call for medical assistance.

3. Main components



For the most up-to-date instructions and detailed support in video and text, go to www.tover.care/manual

3.1. The Tovertafel

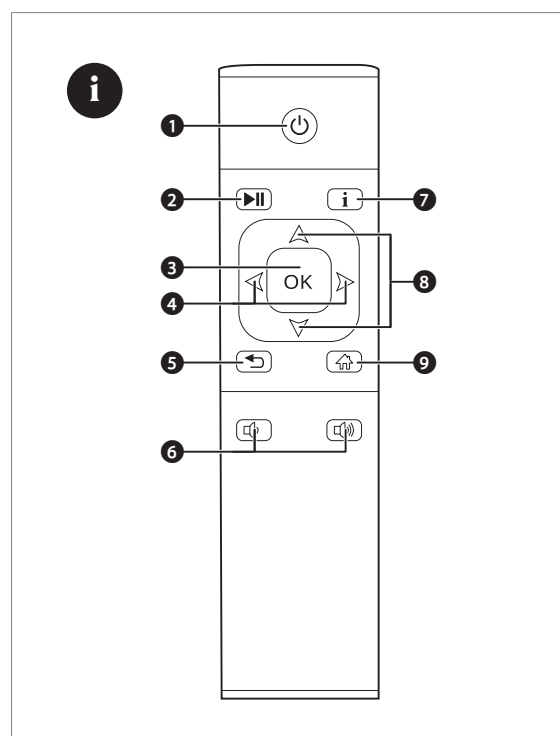


- A) Power switch
- B) Handle
- C) USB connection
- D) Power connection
- E) Ethernet port (Internet cable input)
- F) Loudspeaker
- G) Infrared LED / LED indicator (behind window)
- H) Camera
- I) Projector lens
- J) Ventilation grid

3.2. LED mode indicator

Red, glowing continuously.	The Tovertafel has power and is on standby mode.
Red, flashing.	The Tovertafel is turning itself off.
Green, glowing continuously.	The Tovertafel is on.
Green, flashing.	The Tovertafel is starting up.
Blue, flashing briefly.	A button is being pressed on the remote control.

3.3. The remote control



- 1) **On / off button** – Turn on Tovertafel or switch it to standby mode.

NOTICE

- For this to work, the power switch on the bottom of the Tovertafel must be turned on.
- 2) **Start / pause button** – Pause or restart a game.
 - 3) **OK button** – Confirm your selected option.
 - 4) **Left / right button** – Navigate through the menu or the games.
 - 5) **Back button** – Return to the previous screen.
 - 6) **Volume buttons** – Volume up or down.
 - 7) **Information button** – Extra information (if available).
 - 8) **Up / down button** – Navigate through the menu or the games.
 - 9) **Home button** – Return to main menu.

4. Getting started

4.1. Turning on the Tovertafel

Follow these steps to turn the Tovertafel on:

1. Turn on the power switch on the bottom of the Tovertafel.
 - i** The LED indicator on the bottom of the Tovertafel glows red.
2. Press the on/off button on the remote control to turn the Tovertafel on.
 - i** The LED indicator glows green and begins to flash. After 20 seconds, you will hear a beep. In total, the Tovertafel needs about a minute to warm up and start.
 - i** When the LED indicator glows green continuously, the projection will appear and the Tovertafel is ready for use.

4.2. Navigating in the menu

You will find games and settings etc. in the main menu. The Tovertafel is fully operational using the remote control supplied. Use the arrow buttons to navigate through the various parts of the menu. Use the OK button to confirm a selection.

4.3. Starting a game

Follow these steps from the main menu to start a game. If necessary, press the Home button to return to the main menu.

1. Navigate to the games using the arrow buttons to view all games.
2. Select a game and press the OK button. The game is now started.
 - i** When using the Tovertafel for the first time, check that it is functioning correctly as described in Chapter 4.4. Correct functioning of the Tovertafel.

4.4. Correct functioning of the Tovertafel

If the game is projected onto the whole table and the game responds well to hands, the Tovertafel is then properly adjusted and no action is needed.


Take action if the following discrepancies occur:

Part of the game is projected off the table. The playing field may not be properly adjusted or the Tovertafel may be incorrectly rotated 180 degrees in relation to the installation. Adjust the playing field as described in Chapter 5.1. Ensure that the Tovertafel has been mounted in the right direction. To do so, follow the steps in Chapter 6.3.

The game does not respond correctly to the hands when you touch the projection. Adjust the Tovertafel's sensor as described in Chapter 5.2.

4.5. Turning the Tovertafel off

Follow these steps to turn the Tovertafel off:

	What do you want to do?
Switch the Tovertafel to standby mode. Follow step 1.:	
Turn the Tovertafel off and move to another hanging system. Follow all steps.	

1. Press the on/off button on the remote control.
 - i** The LED indicator on the bottom of the Tovertafel turns red and starts to flash. The Tovertafel needs approximately 2 minutes to cool down.
2. Wait until you hear a double beep and the LED indicator glows red continuously.
3. Turn the power switch on the bottom of the Tovertafel off.

NOTICE

- Allowing the Tovertafel to cool down before turning the power off, extends the service life of the device.

5. Optimal adjustment of the Tovertafel

5.1. Adjusting the playing field



Follow these steps from the main menu to adjust the playing field. If necessary, press the Home button to return to the main menu.

1. Navigate to the settings and select 'adjusting the playing field'.
2. Use the arrow buttons on the remote control to move the green line. When the line moves no further, the boundary of the playing field has been reached.
3. Press the OK button to adjust the next edge, which now glows green. Repeat this step until all the edges have been adjusted correctly.
4. Press the Home button to save the playing field settings.

If you are unable to properly adjust the projection on the table, check the following points:

- A. The long side of the table and the long side of the Tovertafel are parallel to one another. If this is not the case, either the table or the ceiling plate of the Tovertafel need to be rotated 90 degrees (see installation manual).
- B. The Tovertafel is rotated 180 degrees relative to the installation. Follow the steps in Chapter 6.3. to rotate the Tovertafel.

5.2. Sensor adjustment (calibration)



NOTICE

- To ensure that the Tovertafel responds accurately to movements, it is important to adjust the sensor correctly.

Follow these steps from the main menu to adjust the sensor correctly. If necessary, press the Home button to return to the main menu.

1. Navigate to the settings and select 'adjust sensor'.
2. Follow the steps indicated in the menu using the calibration marker supplied (A4 format).

5.3. Connecting to the Internet



We recommend that you connect the Tovertafel to the Internet so that you receive the latest updates to the Tovertafel and the games.



There are 3 options to connect it to the Internet:

- A. Via WiFi. Go to **Chapter 5.3.1.**
- B. Via UTP cable. Go to **Chapter 5.3.2.**
- C. Via mobile hotspot. Go to **Chapter 5.3.3.**

5.3.1. Option A: via WiFi

1. If necessary, press the Home button to return to the main menu.
 2. Navigate to the settings and select 'network'.
 3. Select the required network using the arrow keys and press the OK button.
 4. Enter the network password and press OK in the projection.
- i** If the connection is successful, a message appears.

5.3.2. Option B: via UTP cable

1. Insert a UTP cable connected to the Internet into the Tovertafel's Ethernet port.
 2. If necessary, press the Home button to return to the main menu.
 3. Navigate to the settings and select 'network'.
- i** If the connection is successful, a message appears.

5.3.3. Option C: via mobile hotspot

1. Check that your mobile phone or tablet is connected to the Internet.
2. Turn on your mobile phone's or tablet's hotspot.

3. If necessary, press the Home button to return to the main menu.
4. Navigate to the settings and select 'network'.
5. Select the required network using the arrow keys and press the OK button.
6. Enter the network password and press OK in the projection.

i If the connection is successful, a message appears.

Not having any luck connecting to the Internet via the above methods? Please contact the service team (see Chapter 1.2. Assistance).

5.4. Installing software updates




The Tovertafel and games are under continuous development and improvement at Tover. To guarantee the best game experience, please install the software updates.

You must connect the Tovertafel to the Internet in order to receive a software update. If necessary, press the Home button to return to the main menu and check whether a green dot and 'online' are displayed. Is the Tovertafel not connected? Please follow the steps in Chapter 5.3. to connect the Tovertafel to the Internet.

Follow these steps from the main menu to install a software update. If necessary, press the Home button to return to the main menu.

1. Navigate to the settings and select 'update'.

	What do you see?
A.	There are no new updates available. The Tovertafel is up to date.
B.	An update has been found. Go to step 2 .

2. Press OK to restart the Tovertafel. The new software and/or any new games are now installed.

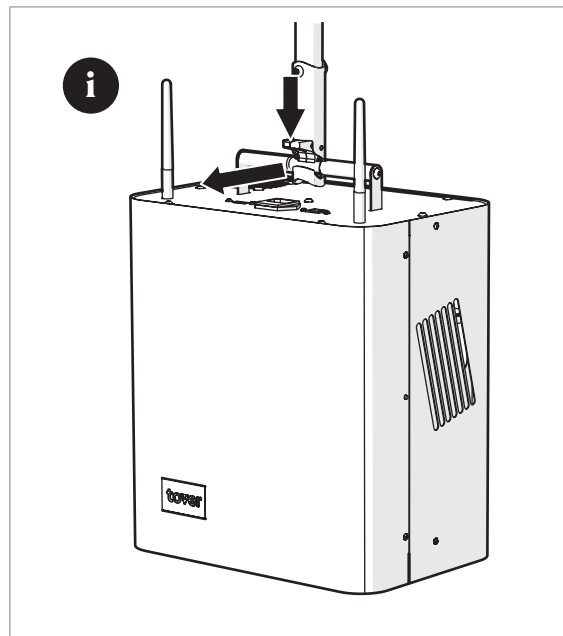
Experiencing problems updating the Tovertafel? If so, please contact the service team (see Chapter 1.2. Assistance).

6. Moving the Tovertafel

6.1. Removing the Tovertafel

Follow these steps to remove the Tovertafel from the hanging system:

1. Turn off the Tovertafel using the on/off button on the remote control.
2. Turn the power switch on the bottom of the Tovertafel off.
3. Detach the power cable and (if present) the UTP cable from the Tovertafel.
4. Push the hook's locking button downwards and remove the handle off the hook.



6.2. Mounting the Tovertafel

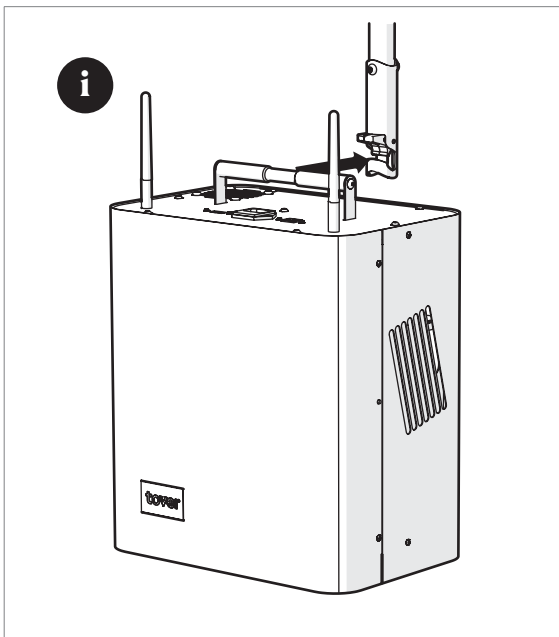
The room must have a hanging system installed before you can mount the Tovertafel. No hanging system? In that case, follow the steps in the installation manual for installing a hanging system.

Follow these steps to mount the Tovertafel on a hanging system:

1. Mount the Tovertafel on the hook with the handle; The locking button clicks tight automatically.
2. While doing so, ensure that the Tovertafel is mounted in the same direction as it was during the installation of the hanging system.
3. Use the power switch to determine the direction in which the Tovertafel needs to be mounted. The power switch is always directed towards the center of the table.
4. Insert the plug and (if present) the UTP cable into the Tovertafel.

The Tovertafel is now connected and ready for use (see Chapter 4.).

Moved the Tovertafel to a different location? If so, we recommend readjusting the playing field and the sensor and check the Internet connection. To do so, follow the steps in Chapter 5.1., 5.2. and 5.3.



6.3. Rotating the Tovertafel

The lens of the Tovertafel is **not** in the center of the device, but the games need to appear in the center of the table. This is dealt with when installing the hanging system by suspending the Tovertafel slightly off-center of the table, so when moving it, it is important to mount the Tovertafel in the same direction as during the

installation. Use the power switch to determine the direction in which the Tovertafel needs to be mounted. The power switch is always directed towards the center of the table.

If the Tovertafel is mounted the wrong way around, that will become apparent after it is turned on. The image will fall away considerably from the table and cannot be adapted by readjusting the playing field. The Tovertafel then needs to be rotated 180 degrees.

Follow these steps to rotate the Tovertafel:

1. Remove the Tovertafel (see Chapter 6.1.) and
2. rotate it 180 degrees.
3. Remount the Tovertafel (see Chapter 6.2.).

Does the projection still fall away from the table? If so, consider taking the following steps:

- A. Move the table.
- B. Try to adjust the playing field again (see Chapter 5.1.).
- C. Dismantle the hanging system and re-install it (see installation manual).

7. Online environment

7.1. My Tover

With an active Open Play & Learn subscription, you can use the My Tover customer portal. The customer portal provides additional tips and inspiration for getting the maximum out of the Tovertafel. It also features an introductory program for new users and has advice on supervising sessions. Access this at **my.tover.care**. Request an invitation with login details from your Tover contact person.

8. Common problems

Problem	Possible solution
The Tovertafel does not start or no image appears	Ensure that the plug is inserted into the power socket and that the power socket has power.
	Ensure that the power switch on the Tovertafel is on.
	Check that the LED indicator is lit. If it is not lit, the system does not have power.
	Check the batteries in the remote control.
	Check whether you hear an audible beep within a few seconds of starting up.
	Check that there is light in the lens within a couple of minutes after starting up.
The Tovertafel has no sound	Increase the volume using the remote control.
The projection falls away from the table partially	Ensure that the playing field is adjusted properly (see Chapter 5.1.) or view the online instruction videos.
The projection falls away from the table considerably	Ensure that the Tovertafel is hanging in the same direction as during the installation, with the power switch directed towards the center of the table. If necessary, rotate the Tovertafel (see Chapter 6.3.).

Problem	Possible solution
The Tovertafel fails to respond or does not respond properly to hand and arm movements during play.	Ensure that the motion sensor is not blocked.
	Ensure that the sensor is adjusted properly (see Chapter 5.2.) or view the online instruction videos.
The Tovertafel is not connected to the Internet.	Follow the steps in Chapter 5.3. or view the online instruction videos.
The Tovertafel turns itself off after some time	Make a note of how long it takes before the device turns itself off and contact the service team.



Experiencing problems with the Tovertafel but the above solutions do not apply? Or you have other questions about its use? Please contact the service team (see Chapter 1.2. Assistance).

Tover B.V.

+31 (0)85 303 4819

service@tover.care

www.tover.care

(or your local distributor)

tover[®]
purposeful play